

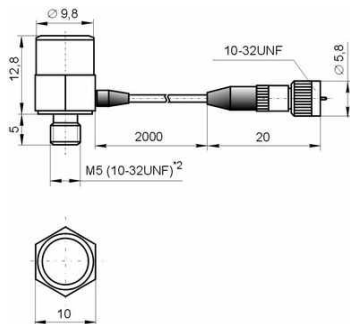


Miniature Vibration Transducer NTIP11



Parameter	Unit	NTIP11
Axial sensitivity ( $\pm 20\%$ ).....	pC/g <sup>*1</sup>	0.04
Relative transverse sensitivity.....	%	< 5
Amplitude range.....	g <sup>*1</sup>	$\pm 50000$
Max. shock limit (peak value).....	g <sup>*1</sup>	$\pm 70000$
Operating temperature range.....	°C	-60...+200
Variation of axial sensitivity by °C.....	%	< 0.03
Capacity variation in the operating temperature... range	%	$\pm 2$
Frequency range (ripple $\pm 1$ dB).....	Hz	2...25000
Self-resonant frequency in attached condition....	kHz	> 70
Strain sensitivity.....	g • m/ $\mu$ m	< 0.3
Capacitance.....	pF	300...400
Insulation resistance in normal conditions.....	MOhm	> 10 000
Housing material.....	-	Stainless steel
Built-in cable length.....	m	2 <sup>*2</sup>
Weight (without connector and cable).....	gram	8

General view



Electrical circuit

